

40V N+P- channel SGT MOSFET

DESCRIPTION

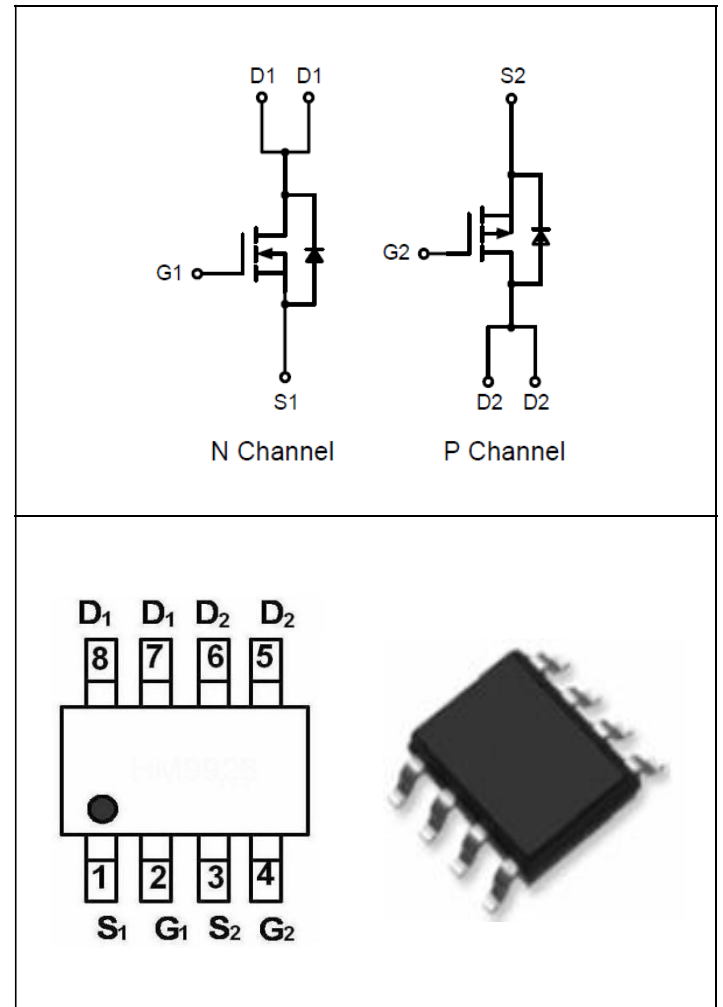
The CX4608 is the highest performance trench N-Ch and P-Ch MOSFETs With extreme high cell density, which provide excellent RDSON and gate charge for most of the synchronous buck converter applications.

GENERAL FEATURES

Channel	BVDSS	RDSON	ID
N-Ch	40V	18mΩ	10A
p-Ch	-40V	32 mΩ	-10A

Application

- Drivers: Relays, lamps, Memories.
- Battery operated systems.
- CCFL Back-light Inverter



■ Absolute Maximum Ratings (T_A=25°C unless otherwise noted)

Symbol	Parameter	Rating		Unit
		N-Ch	P-Ch	
VDSS	Drain-Source Voltage	40	-40	V
VGSS	Gate-Source Voltage	±20	±20	
ID	Continuous Drain Current ,(VGS=10V)	10	-10	A
IDP	Drain Current (Pulse)	40	-40	A
TJ	Maximum Junction Temperature	-55 to 150		°C
TSTG	Storage Temperature Range	-55 to 150		
PD	Maximum Power Dissipation (Ta=25°C)	2.5	2.8	W